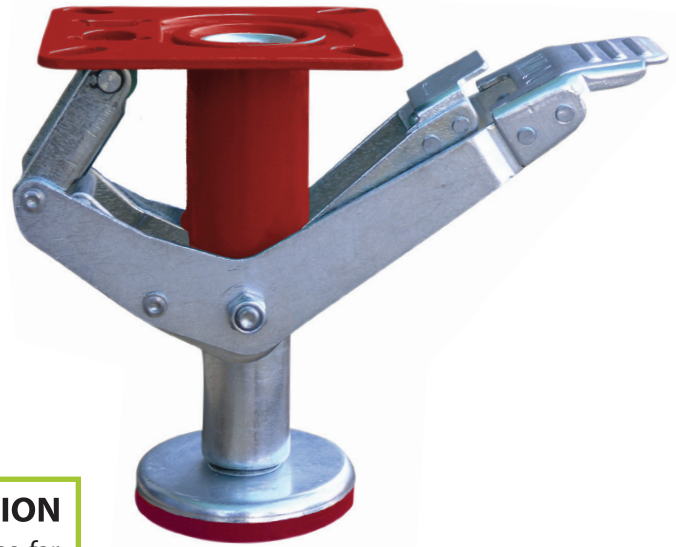


Floorlocks

Suitable for loads up to 300kg

- Designed to stop portable equipment and trolleys from moving
- Foot operated
- Features long lasting resilient polyurethane pad
- Swivel base allows for use on uneven floors



FLOORLOCK OPERATION

- 1 Depress the down pedal as far as it will go. The lock is now set.
- 2 To unlock, press the up pedal until it is level with the down pedal. Release. The base will then retract from the floor

SELECTING & INSTALLING FLOOR LOCKS

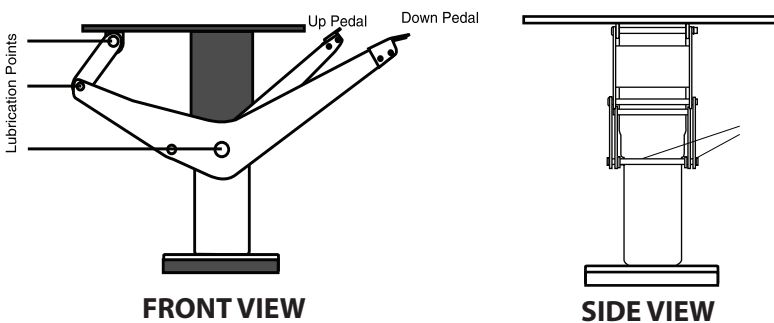
It is important to select a model which clears the floor when retracted.

To adapt a floor lock to your current equipment, select a model with an extended height 1.6 mm to 6mm greater than the overall height of the castors.

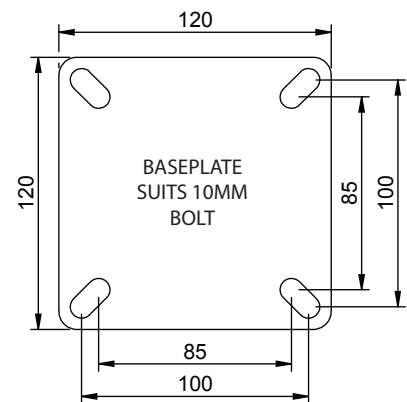
The lock must be centred between castors

When installed the floor lock must be set 5mm from ground level when in the UP position

CROSS SECTION FLOOR LOCK



BASEPLATE DIMENSIONS FLOOR LOCK



Specifications & Fittings

Extended Height	Retracted Height	Stroke	Pedal Length	Floor Lock Code
155	130	25	140	900-2
215	170	45	145	900-4